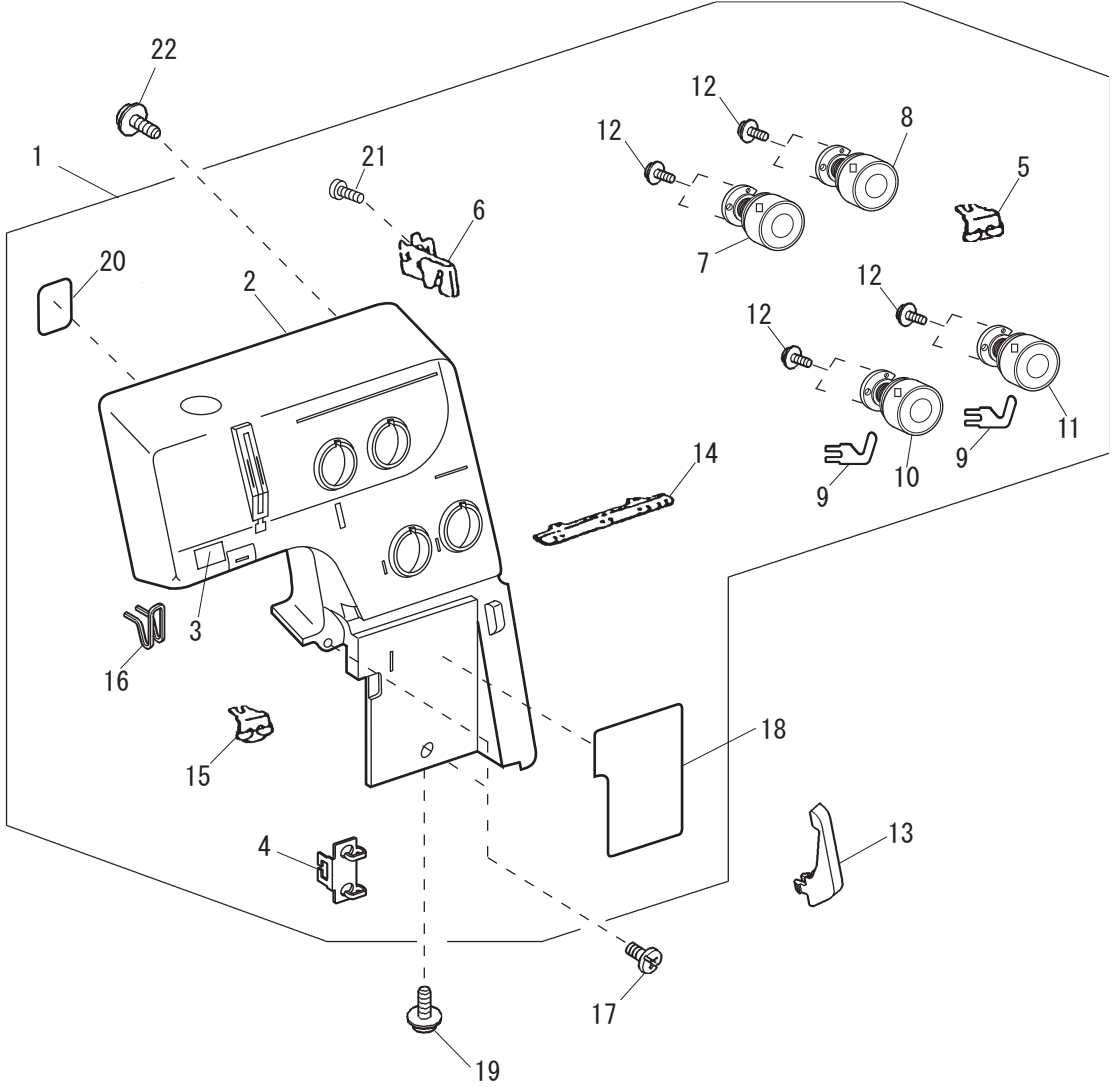


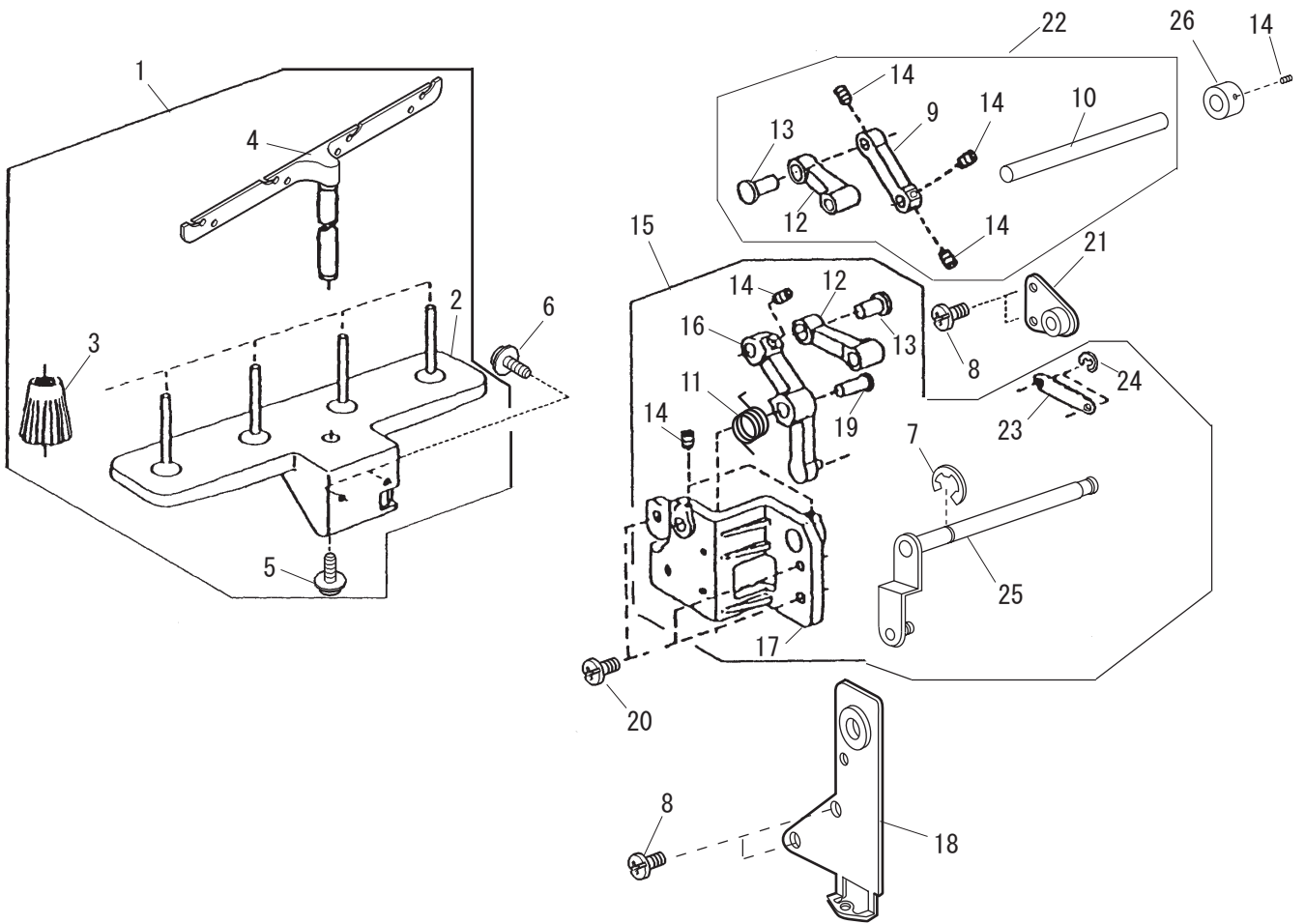
PARTS LIST

792W
&
8002D

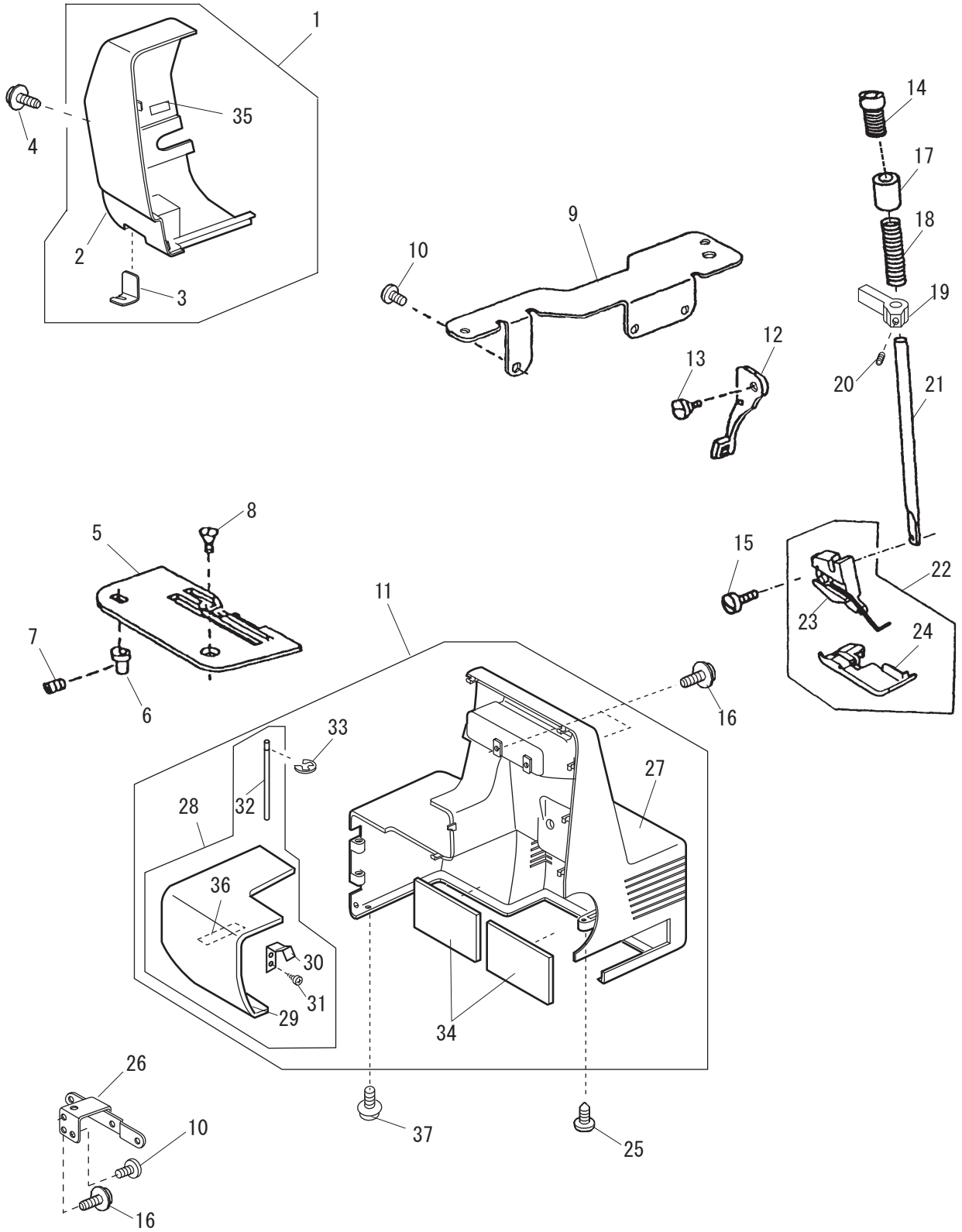
combined



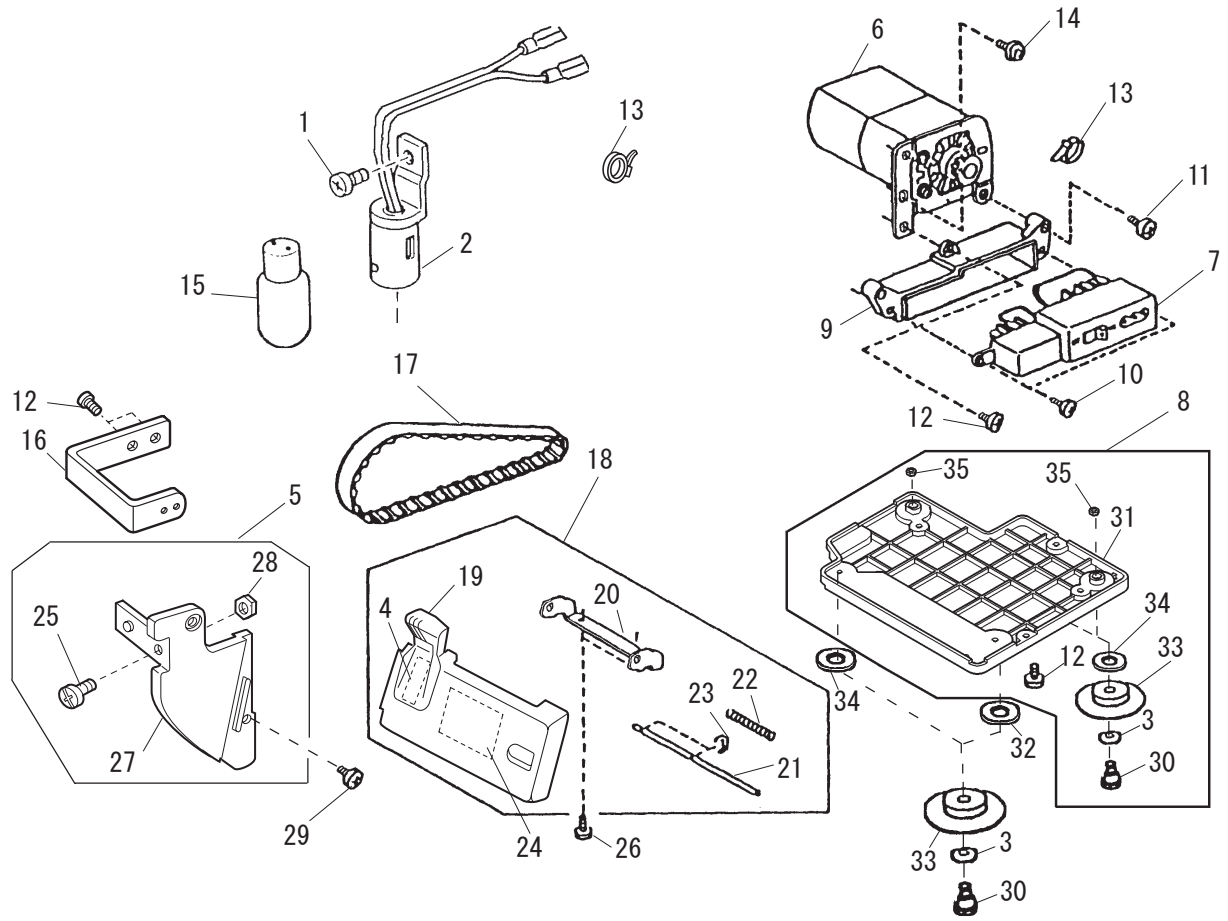
Ref.	Part No.	Description
1	792624057	Front cover unit
	792624046	Front cover unit for Continental Europe & UK
	792624080	Front cover unit for Canada
2	792051105	Front cover
3	888261007	Sticker
4	792020002	Upper looper thread guide
5	785232007	Looper thread guide
6	792612007	Check spring cover unit
7	785552154	Left needle tension unit
	785552143	Left needle tension unit for Continental Europe & UK
	785552176	Left needle tension unit for Canada
8	785553144	Right needle tension unit
	785553133	Right needle tension unit for Continental Europe & UK
	785553166	Right needle tension unit for Canada
9	792019008	Thread guide
10	785554215	Upper looper tension unit
	785554190	Upper looper tension unit for Continental Europe & UK
	785554237	Upper looper tension unit for Canada
11	785555191	Left looper tension unit
	785555180	Left looper tension unit for Continental Europe & UK
	785555227	Left looper tension unit for Canada
12	000114709	TP screw 3x6
13	787394004	Take-up lever cover
14	787363004	Thread guide plate
15	785015002	Needle thread guide 2
16	787392002	Thread guide
17	000081016	Setscrew 4x8
18	792052003	Sticker
19	000198305	Tapping screw 4x10 (B)
20	724025006	Sticker
21	000120203	Tapping screw 3x8 (B)
22	000161206	Tapping screw 3x10 (B)



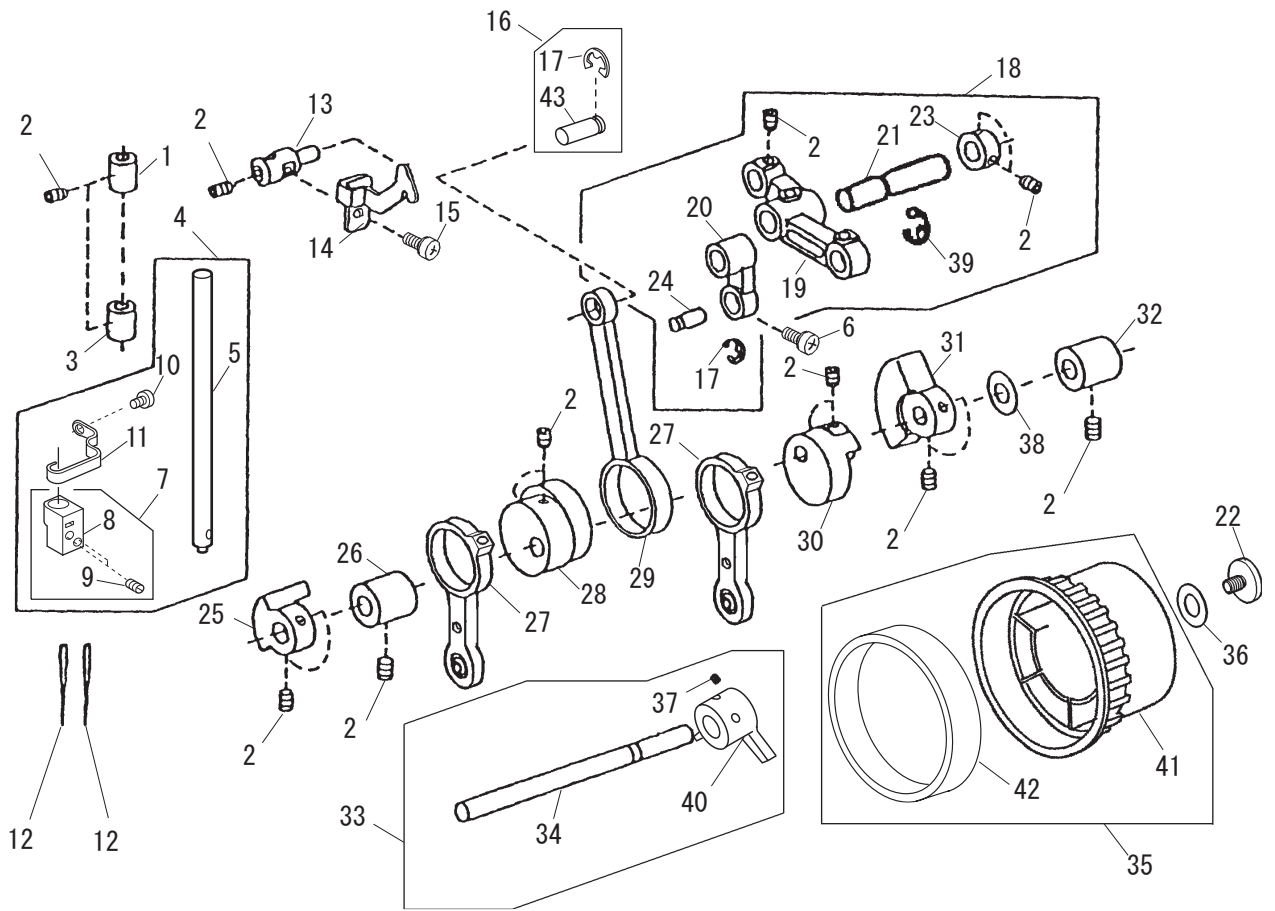
Ref.	Part No.	Description
1	789606008	Spool stand unit
2	777011003	Spool stand
3	784223105	Spool holder
4	789607009	Thread guide bar unit
5	000115700	TP screw 4x10
6	000114802	TP screw 4x12
7	000001609	Snap ring E-5
8	000081005	Setscrew 4x8
9	787197005	Main feed con. arm 2
10	787198006	Main feed con. Shaft
11	787301004	Spring
12	787067005	Feed link
13	787195003	Feed connecting pin
14	000111201	Hexagonal socket screw 4x4
15	792611006	Feed adjusting base unit
16	787194002	Sub feed connecting arm 3
17	787074108	Feed adjusting base
18	792009005	Main shaft set plate (C)
19	787076007	Con. arm pin
20	000103509	Setscrew 4x10
21	787077008	Con. arm support
22	787637002	Main feed con. arm unit
23	787081005	Feed con. arm link
24	000002105	Snap ring E-3
25	792034009	Sub-feed connecting arm shaft
26	650136009	Ring



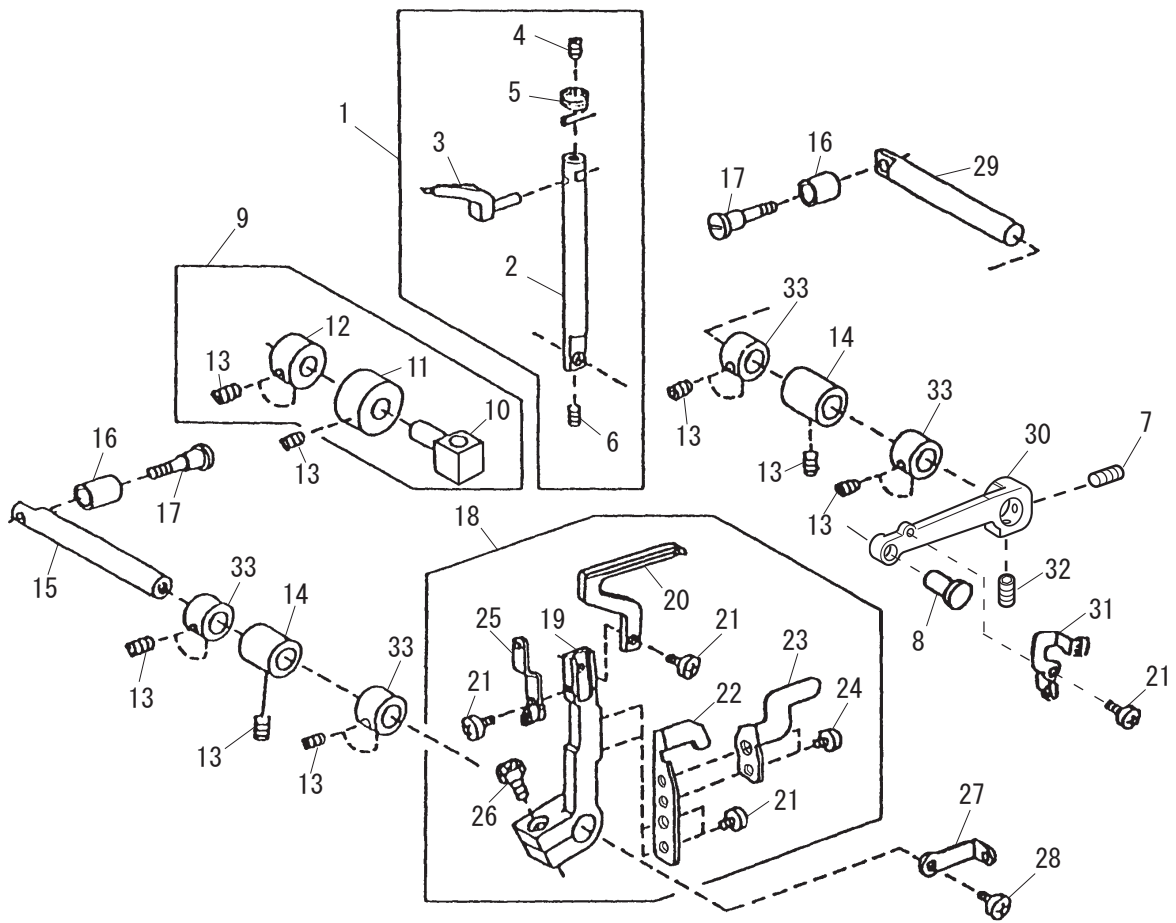
Ref.	Part No.	Description
1	792623001	Face plate unit
	792623012	Face plate unit for Continental Europe & UK
	792623023	Face plate unit for Canada
2	792050001	Face plate
3	840602006	Thread cutter unit
4	000115700	TP screw 4x10
5	788601000	Needle plate unit
6	789100007	Eccentric pin
7	000111902	Hexagonal socket screw 3x4
8	681009101	Flat screw
9	787370004	Handle set plate
10	000081005	Setscrew 4x8
11	792615505	Rear cover unit
	792615103	Rear cover unit for Continental Europe & UK
	792615000	Rear cover unit for Canada
12	650032015	Presser lifter
13	810431009	Hinge screw
14	777013005	Pressure adjusting screw
15	660106001	Setscrew
16	000115618	TP screw 4x8
17	777002001	Bushing
18	787020006	Presser bar spring
19	789117007	Presser bar bracket
20	000111304	Hexagonal socket screw 5x5
21	787019002	Presser bar
22	788501009	Presser foot unit
23	787541008	Foot holder unit
24	788502000	Presser foot unit
25	000198305	Tapping screw 4 x 10 (B)
26	787294106	Rear cover set plate
27	792022107	Rear cover
28	792608206	Side cover unit
29	792023005	Side cover
30	787163002	Side cover spring
31	000120203	Tapping screw 3x8 (B)
32	792024006	Side cover shaft
33	000002105	Snap ring E-3
34	794110006	Rubber
35	100411104	Lump sticker
36	830312016	Sticker
37	000115607	TP screw 4x8



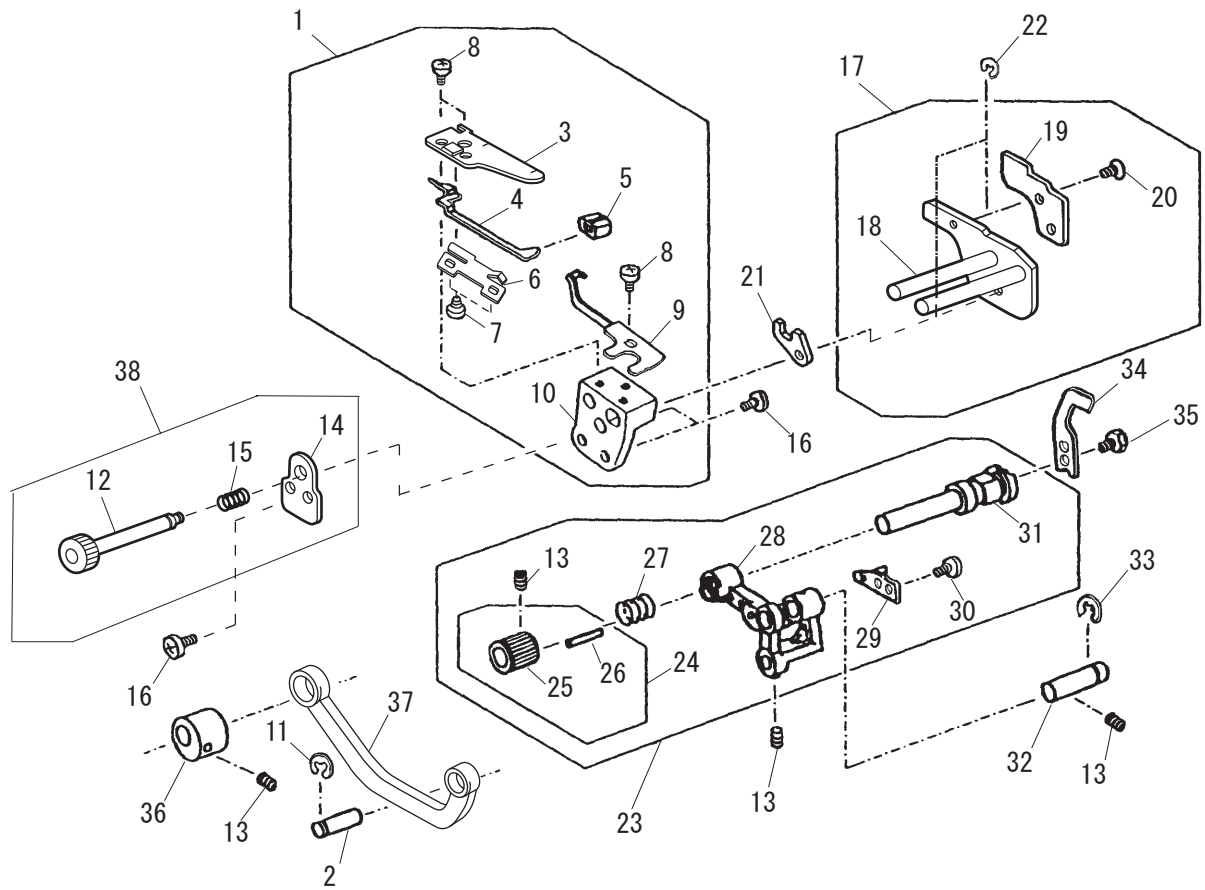
Ref.	Part No.	Description
1	000101404	Setscrew 4x6
2	787510204	Lamp socket unit for USA & Canada
	791620108	Lamp socket unit for Continental Europe & UK
3	000070300	Washer
4	830312016	Sticker
5	792610005	Looper cover guide unit
6	792617105	Motor unit for USA & Canada
	023271418	Motor unit for 240V
	792618003	Motor unit for Continental Europe
7	777504101	Machine socket unit for USA & Canada
	777502109	Machine socket unit for Continental Europe & UK
8	789610049	Machine base unit
9	784128028	Plug. con. receptacle cover
10	000121905	Tapping screw 4x12 (B)
11	000104108	Setscrew 4x20
12	000081005	Setscrew 4x8
13	000053008	Binder
14	000115504	TP screw 5x10
15	000009803	Lamp 120V 15W BA15D
	000009009	Lamp 240V 15W BA15D
16	787153009	Left cover guide supporter
17	784124002	Timing belt
18	792609115	Looper cover unit
	792609089	Looper cover unit for Continental Europe & UK
	792609148	Looper cover unit for Canada
19	792025096	Looper cover
	792025074	Looper cover for Continental Europe
	792025133	Looper cover for Canada
20	792026008	Looper cover supporter
21	792027009	Looper cover shaft
22	792028000	Looper cover spring
23	000002105	Snap ring E-3
24	789028000	Sticker
25	000103510	Setscrew 4x10
26	000115205	TP screw 4x6
27	792029001	Looper cover guide
28	000062402	Nut 4-2-7
29	000078320	Setscrew 3x6
30	784169009	Hinge screw
31	789034009	Base plate
32	785260004	Washer
33	784135006	Rubber cushion
34	787204006	Washer (2)
35	000061205	Nut 4-3-7



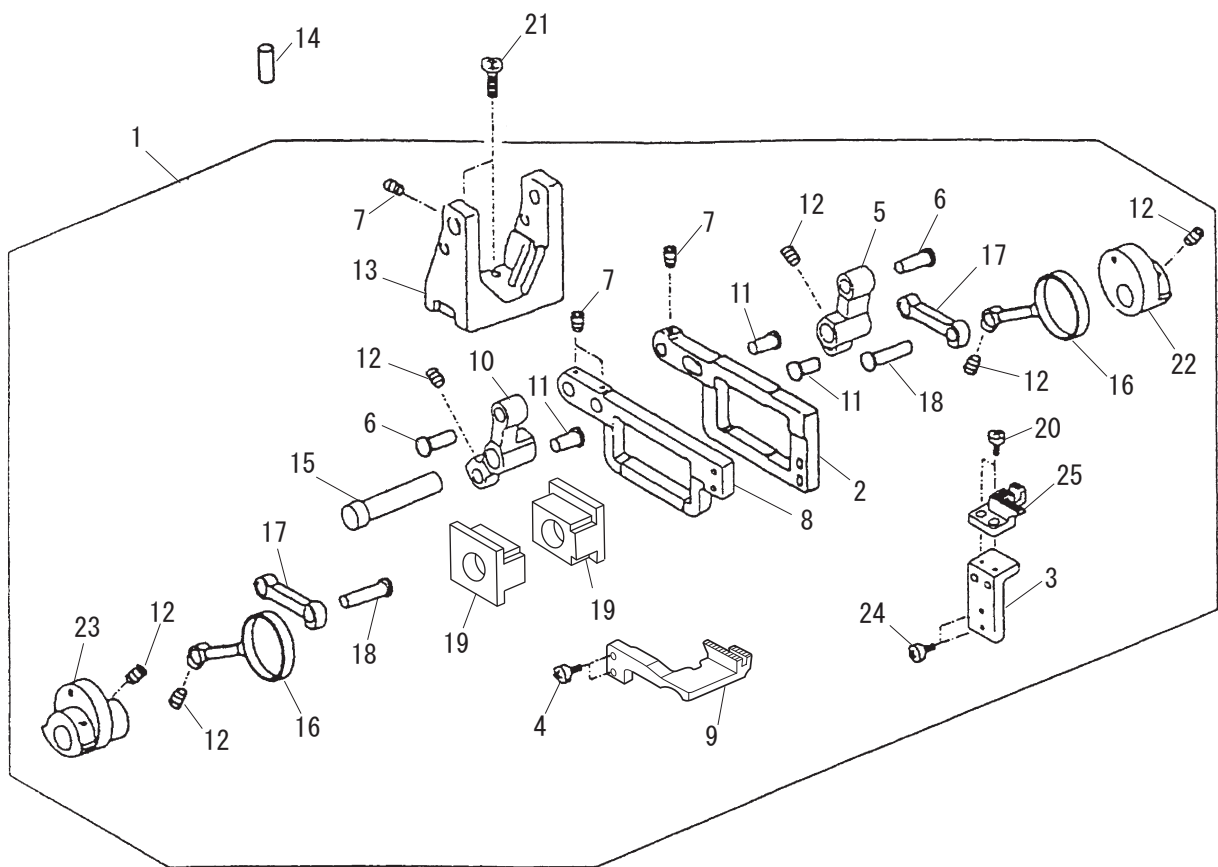
Ref.	Part No.	Description
1	784027004	Needle bar upper bushing
2	000011201	Hexagonal socket screw 4x4
3	784028005	Needle bar lower bushing
4	792601003	Needle bar unit
5	792001007	Needle bar
6	000101703	Setscrew 4x12
7	792501002	Needle clamp unit
8	792002008	Needle clamp
9	888264000	Needle clamp screw
10	000078320	Setscrew 3x6
11	792003009	Needle bar thread guide
12	784157015	Needle HAx1 SP-14
13	784024001	Needle bar bracket
14	787348003	Take-up lever
15	000078320	Setscrew 3x6
16	793606001	Needle bar balancer pin unit
17	000001609	Snap ring E-5
18	789612007	Needle bar crank unit
19	789104001	Needle bar crank
20	789007003	Needle bar link
21	789008004	Needle bar crank shaft
22	618070004	Screw
23	624245001	Ring
24	784022009	Link pin
25	792037002	Left balance weight (left)
26	784009000	Bushing
27	792951001	Looper cam ring unit
28	787007100	Needle bar cam
29	784011005	Needle bar crank rod
30	787004107	Upper looper cam
31	787176101	Balance weight (right)
32	784310007	Bushing
33	792619004	Main shaft unit
34	789001007	Main shaft
35	793607002	Hand wheel unit
36	556047007	Washer
37	000111304	Hexagonal socket screw 5x5
38	000038605	Washer 10x0.5
39	000002909	Snap ring E-7
40	792041009	Balance weight
41	784019508	Hand wheel
42	793012004	Rubber sheet
43	793013005	Needle bar balancer pin



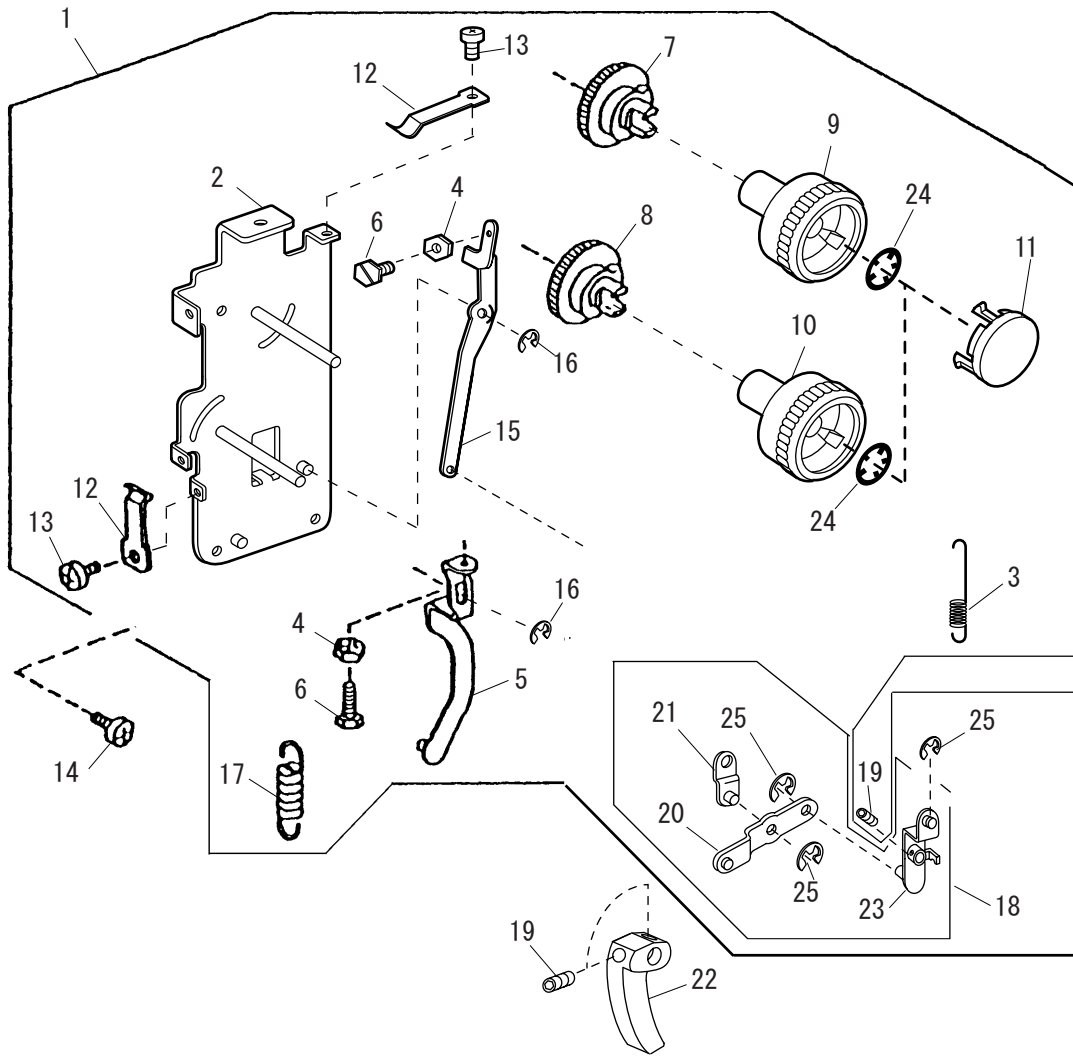
Ref.	Part No.	Description
1	787618007	Upper looper shaft unit
2	787111005	Upper looper shaft
3	784076019	Upper looper
4	000112501	Hexagonal socket screw 4x4
5	784077009	Upper looper thread guide (3)
6	000177205	Hexagonal socket screw 3x6
7	000111304	Hexagonal socket screw 5x5
8	789116006	Upper looper pin
9	792614009	Upper looper shaft guide unit
10	792038003	Upper looper shaft guide
11	792039004	Looper crank shaft metal
12	787106007	Ring
13	000111201	Hexagonal socket screw 4x4
14	787104005	Bushing
15	787116000	Left looper crank shaft
16	787107101	Crank spacer
17	787108009	Crank setscrew
18	785610036	Lower looper unit
19	785024004	Left looper base (2)
20	784083606	Lower looper
21	000078320	Setscrew 3x6
22	787383000	Rear needle guard
23	785023003	Front needle guard
24	000099006	Hexagonal socket screw 3x4
25	784085206	Left looper thread guide (3)
26	000138008	Hexagonal socket screw 4x16
27	785010203	Left looper thread guide
28	000103004	Setscrew 3.5x6
29	787105006	Upper looper crank shaft
30	789112002	Upper looper waving arm
31	788038000	Looper thread guide (L2)
32	000110107	Hexagonal socket screw 5x5
33	792048006	Looper shaft ring



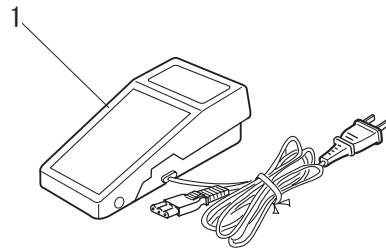
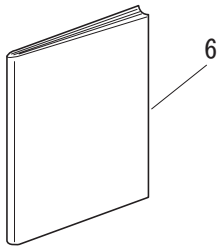
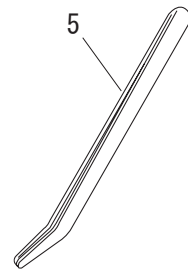
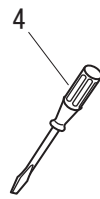
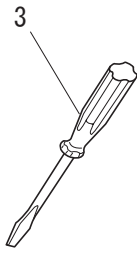
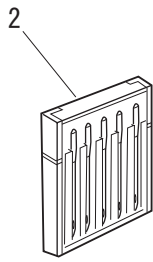
Ref.	Part No.	Description
1	792613008	Chaining finger bracket unit
2	787012005	Pin
3	789106003	Chaining finger set plate
4	788017003	Chaining finger
5	787041003	Needle plate setting knob
6	788018004	Chaining finger spring
7	000074603	Setscrew 2x4
8	000078320	Setscrew 3x6
9	788019005	Fixed needle guard
10	788015001	Chaining finger bracket
11	000001609	Snap ring E-5
12	792007003	Lower knife guide shaft
13	000111201	Hexagonal socket screw 4x4
14	787046008	Guide plate
15	787048000	Spring
16	000081005	Setscrew 4x8
17	792603005	Lower knife unit
18	792005001	Lower knife set plate
19	788013009	Lower knife
20	000102221	Setscrew 4x6
21	788021000	Nut
22	000001207	Snap ring E-2.5
23	787635000	Upper knife srine arm unit
24	784607004	Upper knife knob unit
25	784044007	Upper knife knob
26	000003601	Spring pin 2x14
27	784043006	Spring
28	787033002	Upper knife drive arm
29	784041004	Upper knife guide
30	810220003	Setscrew 4x6.5
31	784042005	Upper knife supporter
32	787022008	Pin
33	000002909	Snap ring E-7
34	788127007	Upper knife
35	624303008	H. bolt 4x6
36	788008001	Upper knife drive cam
37	789009005	Upper knife connecting rod
38	792622000	Lower knife guide shaft unit



Ref.	Part No.	Description
1	792604006	Feed bar unit
2	788022001	Main feed bar
3	788023002	Main feed dog bracket
4	000104201	Setscrew 3.5x10
5	787054009	Main feed bar drive arm
6	787055000	Pin
7	000111902	Hexagonal socket screw 3x4
8	788024003	Sub feed bar
9	789018007	Sub feed dog
10	787212007	Sub feed drive arm
11	787059004	Pin
12	000111201	Hexagonal socket screw 4x4
13	787305008	Feed bar base
14	000005304	Pin
15	787306009	Feed driving arm pin
16	787065003	Feed bar link
17	787066004	Feed rocking link
18	787068006	Pin
19	792008004	Block
20	000066705	Setscrew 3x8
21	000201405	TP screw 4x16
22	787072003	Main feed drive cam
23	787073004	Sub feed drive cam
24	000068811	Setscrew 3.5x10
25	788027006	Main feed dog



Ref.	Part No.	Description
1	792606008	Feed adjuster unit
2	792012001	Set plate
3	792011000	Spring
4	000160102	Adjustable nut
5	792014003	Differential rod
6	785224006	Adjustable screw
7	792015004	Stitch length adjusting cam
8	788036008	Differential feed adjusting cam
9	792016108	Stitch length dial
10	792016153	Differential Dial
11	787262301	Dial cap
12	787263003	Spring
13	000081119	Setscrew 4x6
14	000081005	Setscrew 4x8
15	792013002	Feed rod
16	000001609	Snap ring E-5
17	787259006	Spring
18	792605007	Main feed connecting arm unit
19	000111201	Hexagonal socket screw 4x4
20	787266006	Feed con. Plate
21	788031003	Differential transfer arm
22	788032107	Sub feed con. arm
23	792040008	Main feed connecting arm
24	000013800	Snap ring CS-6
25	000002105	Snap ring E-3



Ref.	Part No.	Description
1	C - 1028	Foot control for USA & Canada
	C-2064	Foot control for UK
	C-2060	Foot control for Continental Europe
2	784860100	Needle set
3	784810002	Screwdriver (large)
4	792030005	Screwdriver (small)
5	624801001	Tweezers
6	792800244	Instruction book (En)
	792800705	Instruction book for UK (En)
	792800255	Instruction book (Sp)
	792800185	Instruction book (Du/Ge/Fr)
	792880204	Carton box for UK
	792880178	Carton box for Netherlands, Chile
	792880190	Carton box for USA